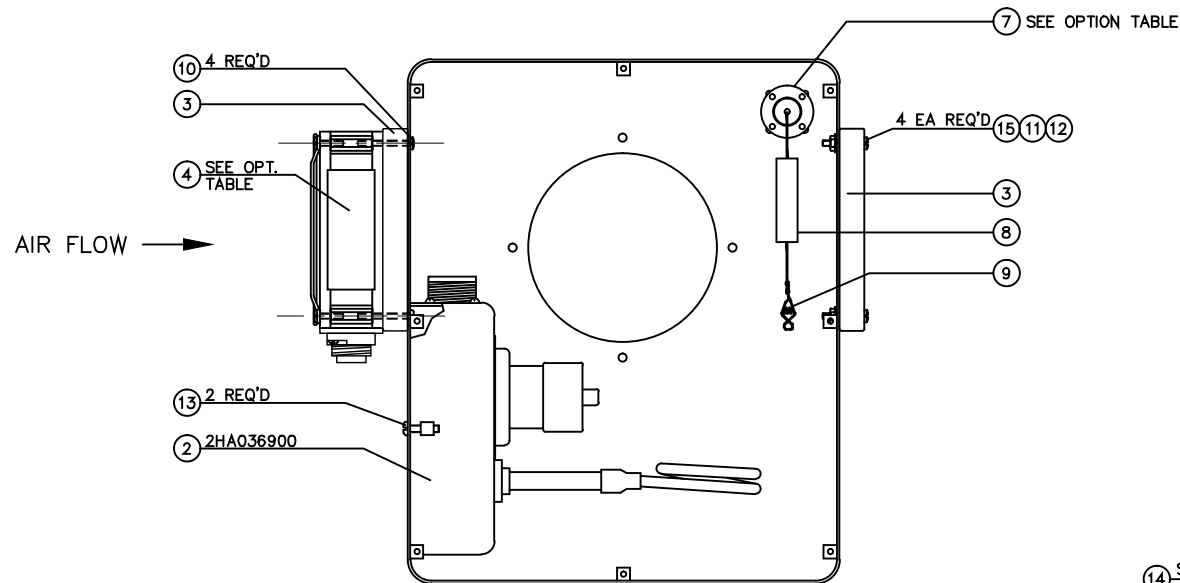
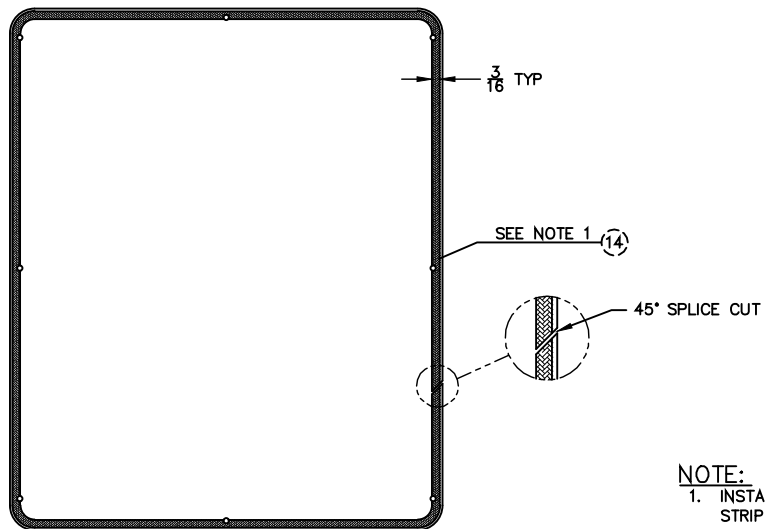
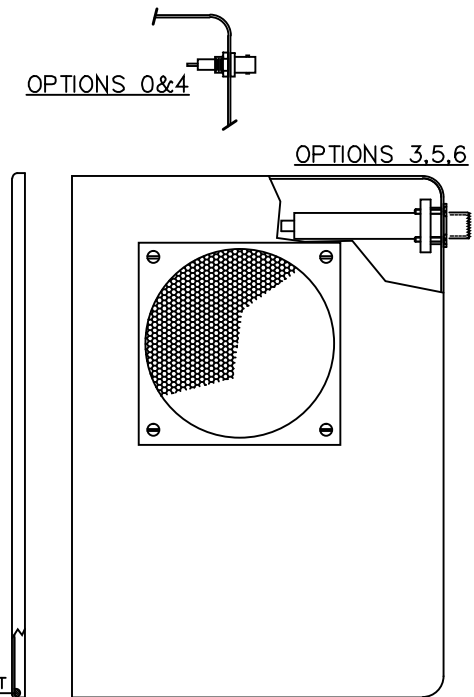


OPTIONS 4-6 SHOWN



INSIDE VIEW OF BOX
OPTIONS 4-6 SHOWN



GASKET DETAIL

NOTE:
1. INSTALL RF GASKET MATERIAL IN A CONTINUOUS STRIP (ITEM 14) AROUND INSIDE EDGE.

DESCRIPTION	ITEM #15 #6 SCREW	ITEM #12 #6 NUT	ITEM #11 #6 WASHER	ITEM #10 #6 SCREW	ITEM #7 CONNECTOR	ITEM #4 FAN	ITEM #3 FILTER	ITEM #1 HOUSING	PART NO.
									2JA004539
									2JA004538
									2JA004537
230VAC FAN, NEC CONNECTOR	4 @ 1"	QTY 4	QTY 4	4 @ 1-1/4"	2TA036030	2HA016341	3AS020005	2JA035711	2JA004536
115VAC, NEC CONNECTOR	4 @ 1"	QTY 4	QTY 4	4 @ 1-1/4"	2TA036030	2HA016340	3AS020005	2JA035711	2JA004535
115VAC FAN, MHV CONNECTOR	4 @ 1"	QTY 4	QTY 4	4 @ 1-1/4"	8HC500002	2HA016340	3AS020005	2JA035710	2JA004534
400HZ FAN, NEC CONNECTOR (NO P/L YET)									2JA004533
OBSOLETE; USE OPT 6: 230VAC FAN, NEC CONNECTOR	4 @ 3/8"	QTY 12	QTY 12	12 @ 3/4"	2TA036030	8ER000011	8ER000010	2JA035711	2JA004532
OBSOLETE; USE OPT 5: 115VAC, NEC CONNECTOR	4 @ 3/8"	QTY 12	QTY 12	12 @ 3/4"	2TA036030	8ER000002	8ER000010	2JA035711	2JA004531
OBSOLETE; USE OPT 4: 115VAC FAN, MHV CONNECTOR	4 @ 3/8"	QTY 12	QTY 12	12 @ 3/4"	8HC500002	8ER000002	8ER000010	2JA035710	2JA004530

OPTION TABLE

L	ADD OPT. 4-6, AIR FILTER REPLACE, OBS. OPT 0-2, ADD NOTES	NLP	6/10/19	SJL	2/6/19
K	ADDED NOTE/REVISED #16 OMIT #6 MOVED TO SUB ASSY	BMB	2/12	AJS	2/12
J	#1 WAS A DETAIL DWG	MAM	9/09	AJS	9/09
I	UPDATED #1/REVISED NOTE 1 REMOVED MASKING DETAIL	NLP	4/10/07	JMK	4/10/07
H	#3 WAS FINGER GUARD (BROKEN)	RKT	9/20/06	SHP	9/20/06
G	ADDED #16	NLP	4/18/00	MCC	4/18/00
F	ADDED #16	MAM	6/99	JBS	6/99
E	ADDED OPT 2	MAM	6/99	JBS	6/99
D	REDRAWN/ADDED #14	JLC	1/96	JBS	1/96
NO.	REVISION	BY	DATE	QCD	DATE
				CHECKED	MJS
TOLERANCES AND FINISH UNLESS OTHERWISE SPECIFIED					
FRACTIONAL	.XXX	ANGLE	3:5	THIRD ANGLE	PROJECTION
±1/64"	±.005		125		
MATERIAL			SCALE	1=2	
SEE PARTS LIST			PART NO.		SEE OPTION TABLE
			D		11-0-453
			CV		

NATIONAL ELECTROSTATICS CORPORATION
WISCONSIN

RF SOURCE SHIELD - ASSEMBLY

11-0-453