

Aerospace Size Standard for O-Rings

1. SCOPE:

1.1 Purpose:

This Aerospace Standard specifies the inside diameters, cross-sections, tolerances, and size identification codes (dash numbers) for O-rings used in sealing applications and for straight thread tube fitting boss gaskets. The dimensions and tolerances specified in this standard are suitable for any elastomeric material provided that suitable tooling is available.

1.2 Application:

- 1.2.1 This standard is intended to be used in the preparation of Company, Military, or other Standard Drawings for O-Rings. Each dash number, which should be appended to an appropriate Drawing or Standard number, identifies one nominal size O-Ring only.
- 1.2.2 No attempt is made in this AS to indicate which of the O-Ring sizes listed under this system should be included in any particular Standard Drawing. Its only purpose is to standardize O-Ring sizes and dimensional tolerances and the means of identifying them dimensionally.

2. NOTES:

- 2.1 Only one Class of tolerances appears, conforming to the former Class I for O-Rings with inside diameters up to and including 0.50 inch (12.7 mm), and to the former Class II for O-Rings larger than 0.50 inch (12.7 mm).
- 2.2 In Table 1, the dash numbers are divided into groups of one hundred, and within each group are sequential and nonsignificant. Each hundred group, however, identifies the cross section size of the O-Rings within the group. For example, all 0.070 inch (1.78 mm) and smaller O-Ring cross sections fall into the group of -001 thru -099. The 0.103 inch (2.62 mm) cross section rings fall into the group of -100 thru -199, and so on.

SAE Technical Standards Board Rules provide that: "This report is published by SAE to advance the state of technical and engineering sciences. The use of this report is entirely voluntary, and its applicability and suitability for any particular use, including any patent infringement arising therefrom, is the sole responsibility of the user."

SAE reviews each technical report at least every five years at which time it may be reaffirmed, revised, or cancelled. SAE invites your written comments and suggestions.

Copyright 2001 Society of Automotive Engineers, Inc.
All rights reserved.

Printed in U.S.A.

TO PLACE A DOCUMENT ORDER: (724) 776-4970

FAX: (724) 776-0790

SAE WEB ADDRESS: <http://www.sae.org>

SAE AS568 Revision B

- 2.3 Table 2, using the 900 series dash numbers, lists all of the presently standardized straight thread tube fitting boss gaskets. This series has traditionally utilized the significant dash numbering system, wherein the dash number designates the tube size in 16th's of an inch. This practice is also followed here, with the exception of the -901, which is intended for a 0.0938 inch (2.38 mm) nominal OD (outside diameter) tube, the 0.0625 inch (1.59 mm) OD tube not being in common aircraft use.
- 2.4 In the interest of standardization, it is requested that companies or agencies do not use the dash numbers in Table 1 to which sizes have not been assigned. Sizes not assigned are indicated by an asterisk (*). Anyone feeling that any special size not now shown is widely enough used to justify standardization should direct such a request to AMS Committee "CE" for coordination.

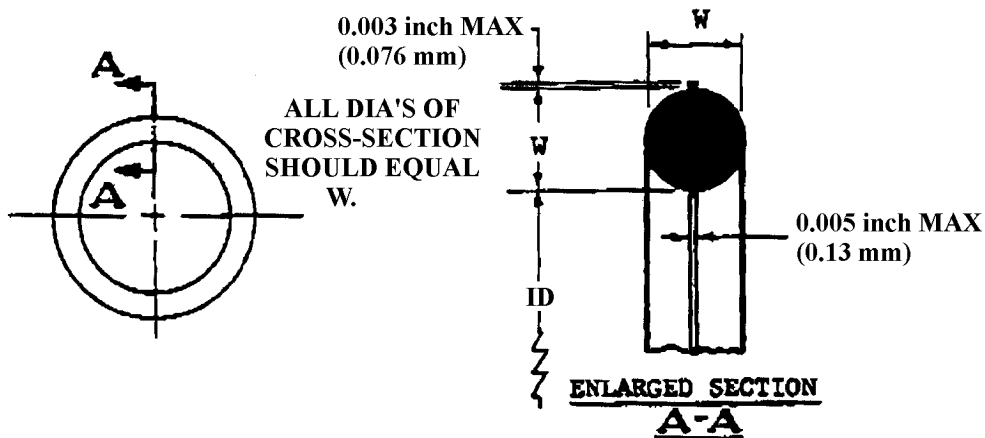


FIGURE 1 - Cross-Sectional Diameter "W"

PREPARED UNDER THE JURISDICTION OF AMS COMMITTEE "CE"

SAE AS568 Revision B

TABLE 1 - Aerospace Size Standards for O-Rings

Dash Number	ID Inches min	ID Inches max	ID mm min	ID mm max	W Inches min	W Inches max	W mm min	W mm max	Volume (Ref) Cubic Inches	Volume (Ref) Cubic cm
-001	0.025	0.033	0.64	0.84	0.037	0.043	0.94	1.09	0.0003	0.005
-002	0.038	0.046	0.97	1.17	0.047	0.053	1.19	1.35	0.0006	0.010
-003	0.052	0.060	1.32	1.52	0.057	0.063	1.45	1.60	0.0010	0.016
-004	0.065	0.075	1.65	1.90	0.067	0.073	1.70	1.85	0.0017	0.028
-005	0.096	0.106	2.44	2.69	0.067	0.073	1.70	1.85	0.0021	0.034
-006	0.109	0.119	2.77	3.02	0.067	0.073	1.70	1.85	0.0022	0.036
-007	0.140	0.150	3.56	3.81	0.067	0.073	1.70	1.85	0.0026	0.043
-008	0.171	0.181	4.34	4.60	0.067	0.073	1.70	1.85	0.0030	0.049
-009	0.203	0.213	5.16	5.41	0.067	0.073	1.70	1.85	0.0034	0.056
-010	0.234	0.244	5.94	6.20	0.067	0.073	1.70	1.85	0.0037	0.061
-011	0.296	0.306	7.52	7.77	0.067	0.073	1.70	1.85	0.0045	0.074
-012	0.359	0.369	9.12	9.37	0.067	0.073	1.70	1.85	0.0052	0.085
-013	0.421	0.431	10.69	10.95	0.067	0.073	1.70	1.85	0.0060	0.098
-014	0.484	0.494	12.29	12.55	0.067	0.073	1.70	1.85	0.0068	0.111
-015	0.544	0.558	13.82	14.17	0.067	0.073	1.70	1.85	0.0075	0.123
-016	0.605	0.623	15.37	15.82	0.067	0.073	1.70	1.85	0.0083	0.136
-017	0.667	0.685	16.94	17.40	0.067	0.073	1.70	1.85	0.0090	0.147
-018	0.730	0.748	18.54	19.00	0.067	0.073	1.70	1.85	0.0098	0.161
-019	0.792	0.810	20.12	20.57	0.067	0.073	1.70	1.85	0.0105	0.172
-020	0.855	0.873	21.72	22.17	0.067	0.073	1.70	1.85	0.0113	0.185
-021	0.917	0.935	23.29	23.75	0.067	0.073	1.70	1.85	0.0120	0.197
-022	0.979	0.999	24.87	25.37	0.067	0.073	1.70	1.85	0.0128	0.210
-023	1.041	1.061	26.44	26.95	0.067	0.073	1.70	1.85	0.0136	0.223
-024	1.104	1.124	28.04	28.55	0.067	0.073	1.70	1.85	0.0143	0.234
-025	1.165	1.187	29.59	30.15	0.067	0.073	1.70	1.85	0.0151	0.247
-026	1.228	1.250	31.19	31.75	0.067	0.073	1.70	1.85	0.0158	0.259
-027	1.290	1.312	32.77	33.32	0.067	0.073	1.70	1.85	0.0166	0.272
-028	1.351	1.377	34.32	34.98	0.067	0.073	1.70	1.85	0.0173	0.283
-029	1.476	1.502	37.49	38.15	0.067	0.073	1.70	1.85	0.0188	0.308
-030	1.601	1.627	40.67	41.33	0.067	0.073	1.70	1.85	0.0204	0.334

SAE AS568 Revision B

TABLE 1 - Aerospace Size Standards for O-Rings (Continued)

Dash Number	ID Inches min	ID Inches max	ID mm min	ID mm max	W Inches min	W Inches max	W mm min	W mm max	Volume (Ref) Cubic Inches	Volume (Ref) Cubic cm
-031	1.724	1.754	43.79	44.55	0.067	0.073	1.70	1.85	0.0219	0.359
-032	1.849	1.879	46.96	47.73	0.067	0.073	1.70	1.85	0.0234	0.383
-033	1.971	2.007	50.06	50.98	0.067	0.073	1.70	1.85	0.0249	0.408
-034	2.096	2.132	53.24	54.15	0.067	0.073	1.70	1.85	0.0264	0.433
-035	2.221	2.257	56.41	57.33	0.067	0.073	1.70	1.85	0.0279	0.457
-036	2.346	2.382	59.59	60.50	0.067	0.073	1.70	1.85	0.0294	0.482
-037	2.471	2.507	62.76	63.68	0.067	0.073	1.70	1.85	0.0309	0.506
-038	2.594	2.634	65.9	66.9	0.067	0.073	1.70	1.85	0.0325	0.533
-039	2.719	2.759	69.1	70.1	0.067	0.073	1.70	1.85	0.0340	0.557
-040	2.844	2.884	72.2	73.3	0.067	0.073	1.70	1.85	0.0355	0.582
-041	2.965	3.013	75.3	76.5	0.067	0.073	1.70	1.85	0.0370	0.606
-042	3.215	3.263	81.7	82.9	0.067	0.073	1.70	1.85	0.0400	0.655
-043	3.465	3.513	88.0	89.2	0.067	0.073	1.70	1.85	0.0430	0.705
-044	3.712	3.766	94.3	95.7	0.067	0.073	1.70	1.85	0.0461	0.755
-045	3.962	4.016	100.6	102.0	0.067	0.073	1.70	1.85	0.0491	0.805
-046	4.209	4.269	106.9	108.4	0.067	0.073	1.70	1.85	0.0521	0.854
-047	4.459	4.519	113.3	114.8	0.067	0.073	1.70	1.85	0.0551	0.903
-048	4.709	4.769	119.6	121.1	0.067	0.073	1.70	1.85	0.0581	0.952
-049	4.952	5.026	125.8	127.7	0.067	0.073	1.70	1.85	0.0612	1.003
-050	5.202	5.276	132.1	134.0	0.067	0.073	1.70	1.85	0.0642	1.052
*051										
THRU	*O-RING SIZES NOT ASSIGNED									
*101										
-102	0.044	0.054	1.12	1.37	0.100	0.106	2.54	2.69	0.0040	0.066
-103	0.076	0.086	1.93	2.18	0.100	0.106	2.54	2.69	0.0048	0.079
-104	0.107	0.117	2.72	2.97	0.100	0.106	2.54	2.69	0.0056	0.092
-105	0.138	0.148	3.51	3.76	0.100	0.106	2.54	2.69	0.0064	0.105

SAE AS568 Revision B

TABLE 1 - Aerospace Size Standards for O-Rings (Continued)

Dash Number	ID Inches min	ID Inches max	ID mm min	ID mm max	W Inches min	W Inches max	W mm min	W mm max	Volume (Ref) Cubic Inches	Volume (Ref) Cubic cm
-106	0.169	0.179	4.29	4.55	0.100	0.106	2.54	2.69	0.0073	0.120
-107	0.201	0.211	5.11	5.36	0.100	0.106	2.54	2.69	0.0081	0.133
-108	0.232	0.242	5.89	6.15	0.100	0.106	2.54	2.69	0.0089	0.146
-109	0.294	0.304	7.47	7.72	0.100	0.106	2.54	2.69	0.0105	0.172
-110	0.357	0.367	9.07	9.32	0.100	0.106	2.54	2.69	0.0122	0.200
-111	0.419	0.429	10.64	10.90	0.100	0.106	2.54	2.69	0.0138	0.226
-112	0.482	0.492	12.24	12.50	0.100	0.106	2.54	2.69	0.0154	0.252
-113	0.542	0.556	13.77	14.12	0.100	0.106	2.54	2.69	0.0171	0.280
-114	0.603	0.621	15.32	15.77	0.100	0.106	2.54	2.69	0.0187	0.306
-115	0.665	0.683	16.89	17.35	0.100	0.106	2.54	2.69	0.0203	0.333
-116	0.728	0.746	18.49	18.95	0.100	0.106	2.54	2.69	0.0220	0.361
-117	0.789	0.809	20.04	20.55	0.100	0.106	2.54	2.69	0.0236	0.387
-118	0.852	0.872	21.64	22.15	0.100	0.106	2.54	2.69	0.0253	0.415
-119	0.914	0.934	23.22	23.72	0.100	0.106	2.54	2.69	0.0269	0.441
-120	0.977	0.997	24.82	25.32	0.100	0.106	2.54	2.69	0.0285	0.467
-121	1.039	1.059	26.39	26.90	0.100	0.106	2.54	2.69	0.0302	0.495
-122	1.102	1.122	27.99	28.50	0.100	0.106	2.54	2.69	0.0318	0.521
-123	1.162	1.186	29.51	30.12	0.100	0.106	2.54	2.69	0.0334	0.547
-124	1.225	1.249	31.12	31.72	0.100	0.106	2.54	2.69	0.0351	0.575
-125	1.287	1.311	32.69	33.30	0.100	0.106	2.54	2.69	0.0367	0.601
-126	1.350	1.374	34.29	34.90	0.100	0.106	2.54	2.69	0.0383	0.628
-127	1.412	1.436	35.86	36.47	0.100	0.106	2.54	2.69	0.0400	0.655
-128	1.475	1.499	37.46	38.07	0.100	0.106	2.54	2.69	0.0416	0.682
-129	1.534	1.564	38.96	39.73	0.100	0.106	2.54	2.69	0.0432	0.708
-130	1.597	1.627	40.56	41.33	0.100	0.106	2.54	2.69	0.0449	0.736
-131	1.659	1.689	42.14	42.90	0.100	0.106	2.54	2.69	0.0465	0.762
-132	1.722	1.752	43.74	44.50	0.100	0.106	2.54	2.69	0.0482	0.790
-133	1.784	1.814	45.31	46.08	0.100	0.106	2.54	2.69	0.0498	0.816
-134	1.847	1.877	46.91	47.68	0.100	0.106	2.54	2.69	0.0514	0.842
-135	1.908	1.942	48.46	49.33	0.100	0.106	2.54	2.69	0.0531	0.870

SAE AS568 Revision B

TABLE 1 - Aerospace Size Standards for O-Rings (Continued)

Dash Number	ID Inches min	ID Inches max	ID mm min	ID mm max	W Inches min	W Inches max	W mm min	W mm max	Volume (Ref) Cubic Inches	Volume (Ref) Cubic cm
-136	1.970	2.004	50.04	50.90	0.100	0.106	2.54	2.69	0.0547	0.896
-137	2.033	2.067	51.64	52.50	0.100	0.106	2.54	2.69	0.0564	0.924
-138	2.095	2.129	53.21	54.08	0.100	0.106	2.54	2.69	0.0580	0.950
-139	2.158	2.192	54.81	55.68	0.100	0.106	2.54	2.69	0.0596	0.977
-140	2.220	2.254	56.39	57.25	0.100	0.106	2.54	2.69	0.0613	1.005
-141	2.280	2.320	57.9	58.9	0.100	0.106	2.54	2.69	0.0629	1.031
-142	2.342	2.382	59.5	60.5	0.100	0.106	2.54	2.69	0.0645	1.057
-143	2.405	2.445	61.1	62.1	0.100	0.106	2.54	2.69	0.0662	1.085
-144	2.467	2.507	62.7	63.7	0.100	0.106	2.54	2.69	0.0678	1.111
-145	2.530	2.570	64.3	65.3	0.100	0.106	2.54	2.69	0.0694	1.137
-146	2.592	2.632	65.8	66.9	0.100	0.106	2.54	2.69	0.0711	1.165
-147	2.653	2.697	67.4	68.5	0.100	0.106	2.54	2.69	0.0727	1.191
-148	2.715	2.759	69.0	70.1	0.100	0.106	2.54	2.69	0.0743	1.218
-149	2.778	2.822	70.6	71.7	0.100	0.106	2.54	2.69	0.0760	1.245
-150	2.840	2.884	72.1	73.3	0.100	0.106	2.54	2.69	0.0776	1.272
-151	2.963	3.011	75.3	76.5	0.100	0.106	2.54	2.69	0.0809	1.326
-152	3.213	3.261	81.6	82.8	0.100	0.106	2.54	2.69	0.0874	1.432
-153	3.463	3.511	88.0	89.2	0.100	0.106	2.54	2.69	0.0940	1.540
-154	3.709	3.765	94.2	95.6	0.100	0.106	2.54	2.69	0.1005	1.647
-155	3.959	4.015	100.6	102.0	0.100	0.106	2.54	2.69	0.1071	1.755
-156	4.207	4.267	106.9	108.4	0.100	0.106	2.54	2.69	0.1136	1.862
-157	4.457	4.517	113.2	114.7	0.100	0.106	2.54	2.69	0.1202	1.970
-158	4.707	4.767	119.6	121.1	0.100	0.106	2.54	2.69	0.1267	2.076
-159	4.952	5.022	125.8	127.6	0.100	0.106	2.54	2.69	0.1332	2.183
-160	5.202	5.272	132.1	133.9	0.100	0.106	2.54	2.69	1.1398	2.291
-161	5.452	5.522	138.5	140.3	0.100	0.106	2.54	2.69	0.1463	2.397
-162	5.702	5.772	144.8	146.6	0.100	0.106	2.54	2.69	0.1529	2.506
-163	5.952	6.022	151.2	153.0	0.100	0.106	2.54	2.69	0.1594	2.612
-164	6.197	6.277	157.4	159.4	0.100	0.106	2.54	2.69	0.1660	2.720
-165	6.447	6.527	163.8	165.8	0.100	0.106	2.54	2.69	0.1725	2.827

SAE AS568 Revision B

TABLE 1 - Aerospace Size Standards for O-Rings (Continued)

Dash Number	ID Inches min	ID Inches max	ID mm min	ID mm max	W Inches min	W Inches max	W mm min	W mm max	Volume (Ref) Cubic Inches	Volume (Ref) Cubic cm
-166	6.697	6.777	170.1	172.1	0.100	0.106	2.54	2.69	0.1790	2.933
-167	6.947	7.027	176.5	178.5	0.100	0.106	2.54	2.69	0.1856	3.041
-168	7.192	7.282	182.7	185.0	0.100	0.106	2.54	2.69	0.1921	3.148
-169	7.442	7.532	189.0	191.3	0.100	0.106	2.54	2.69	0.1987	3.256
-170	7.692	7.782	195.4	197.7	0.100	0.106	2.54	2.69	0.2052	3.363
-171	7.942	8.032	201.7	204.0	0.100	0.106	2.54	2.69	0.2118	3.471
-172	8.187	8.287	207.9	210.5	0.100	0.106	2.54	2.69	0.2183	3.577
-173	8.437	8.537	214.3	216.8	0.100	0.106	2.54	2.69	0.2249	3.685
-174	8.687	8.787	220.6	223.2	0.100	0.106	2.54	2.69	0.2314	3.792
-175	8.937	9.037	227.0	229.5	0.100	0.106	2.54	2.69	0.2379	3.898
-176	9.182	9.292	233.2	236.0	0.100	0.106	2.54	2.69	0.2445	4.007
-177	9.432	9.542	239.6	242.4	0.100	0.106	2.54	2.69	0.2510	4.113
-178	9.682	9.792	245.9	248.7	0.100	0.106	2.54	2.69	0.2576	4.221
*179										
THRU	*O-RING SIZES NOT ASSIGNED									
*200										
-201	0.166	0.176	4.22	4.47	0.135	0.143	3.43	3.63	0.0148	0.243
-202	0.229	0.239	5.82	6.07	0.135	0.143	3.43	3.63	0.0178	0.292
-203	0.291	0.301	7.39	7.65	0.135	0.143	3.43	3.63	0.0207	0.339
-204	0.354	0.364	8.99	9.25	0.135	0.143	3.43	3.63	0.0237	0.388
-205	0.416	0.426	10.57	10.82	0.135	0.143	3.43	3.63	0.0267	0.438
-206	0.479	0.489	12.17	12.42	0.135	0.143	3.43	3.63	0.0297	0.487
-207	0.539	0.553	13.69	14.05	0.135	0.143	3.43	3.63	0.0327	0.536
-208	0.600	0.618	15.24	15.70	0.135	0.143	3.43	3.63	0.0357	0.586
-209	0.662	0.680	16.81	17.27	0.135	0.143	3.43	3.63	0.0386	0.633
-210	0.724	0.744	18.39	18.90	0.135	0.143	3.43	3.63	0.0416	0.682
-211	0.786	0.806	19.96	20.47	0.135	0.143	3.43	3.63	0.0446	0.731
-212	0.849	0.869	21.56	22.07	0.135	0.143	3.43	3.63	0.0476	0.780
-213	0.911	0.931	23.14	23.65	0.135	0.143	3.43	3.63	0.0505	0.828
-214	0.974	0.994	24.74	25.25	0.135	0.143	3.43	3.63	0.0535	0.877
-215	1.036	1.056	26.31	26.82	0.135	0.143	3.43	3.63	0.0565	0.926

SAE AS568 Revision B

TABLE 1 - Aerospace Size Standards for O-Rings (Continued)

Dash Number	ID Inches min	ID Inches max	ID mm min	ID mm max	W Inches min	W Inches max	W mm min	W mm max	Volume (Ref) Cubic Inches	Volume (Ref) Cubic cm
-216	1.097	1.121	27.86	28.47	0.135	0.143	3.43	3.63	0.0595	0.975
-217	1.159	1.183	29.44	30.05	0.135	0.143	3.43	3.63	0.0625	1.024
-218	1.222	1.246	31.04	31.65	0.135	0.143	3.43	3.63	0.0655	1.073
-219	1.284	1.308	32.61	33.22	0.135	0.143	3.43	3.63	0.0684	1.121
-220	1.347	1.371	34.21	34.82	0.135	0.143	3.43	3.63	0.0714	1.170
-221	1.409	1.433	35.79	36.40	0.135	0.143	3.43	3.63	0.0744	1.219
-222	1.469	1.499	37.31	38.07	0.135	0.143	3.43	3.63	0.0774	1.268
-223	1.594	1.624	40.49	41.25	0.135	0.143	3.43	3.63	0.0833	1.365
-224	1.719	1.749	43.66	44.42	0.135	0.143	3.43	3.63	0.0893	1.463
-225	1.841	1.877	46.76	47.68	0.135	0.143	3.43	3.63	0.0952	1.560
-226	1.966	2.002	49.94	50.85	0.135	0.143	3.43	3.63	0.1012	1.658
-227	2.091	2.127	53.11	54.03	0.135	0.143	3.43	3.63	0.1072	1.757
-228	2.214	2.254	56.2	57.3	0.135	0.143	3.43	3.63	0.1131	1.853
-229	2.339	2.379	59.4	60.4	0.135	0.143	3.43	3.63	0.1191	1.952
-230	2.464	2.504	62.6	63.6	0.135	0.143	3.43	3.63	0.1250	2.048
-231	2.589	2.629	65.8	66.8	0.135	0.143	3.43	3.63	0.1310	2.147
-232	2.710	2.758	68.8	70.1	0.135	0.143	3.43	3.63	0.1370	2.245
-233	2.835	2.883	72.0	73.2	0.135	0.143	3.43	3.63	0.1429	2.342
-234	2.960	3.008	75.2	76.4	0.135	0.143	3.43	3.63	0.1489	2.440
-235	3.085	3.133	78.4	79.6	0.135	0.143	3.43	3.63	0.1548	2.537
-236	3.210	3.258	81.5	82.8	0.135	0.143	3.43	3.63	0.1608	2.635
-237	3.335	3.383	84.7	85.9	0.135	0.143	3.43	3.63	0.1668	2.733
-238	3.460	3.508	87.9	89.1	0.135	0.143	3.43	3.63	0.1727	2.830
-239	3.581	3.637	91.0	92.4	0.135	0.143	3.43	3.63	0.1787	2.928
-240	3.706	3.762	94.1	95.6	0.135	0.143	3.43	3.63	0.1846	3.025
-241	3.831	3.887	97.3	98.7	0.135	0.143	3.43	3.63	0.1906	3.123
-242	3.956	4.012	100.5	101.9	0.135	0.143	3.43	3.63	0.1966	3.222
-243	4.081	4.137	103.7	105.1	0.135	0.143	3.43	3.63	0.2025	3.318
-244	4.204	4.264	106.8	108.3	0.135	0.143	3.43	3.63	0.2085	3.417
-245	4.329	4.389	110.0	111.5	0.135	0.143	3.43	3.63	0.2144	3.513

SAE AS568 Revision B

TABLE 1 - Aerospace Size Standards for O-Rings (Continued)

Dash Number	ID Inches min	ID Inches max	ID mm min	ID mm max	W Inches min	W Inches max	W mm min	W mm max	Volume (Ref) Cubic Inches	Volume (Ref) Cubic cm
-246	4.454	4.514	113.1	114.7	0.135	0.143	3.43	3.63	0.2204	3.612
-247	4.579	4.639	116.3	117.8	0.135	0.143	3.43	3.63	0.2263	3.708
-248	4.704	4.764	119.5	121.0	0.135	0.143	3.43	3.63	0.2323	3.807
-249	4.824	4.894	122.5	124.3	0.135	0.143	3.43	3.63	0.2383	3.905
-250	4.949	5.019	125.7	127.5	0.135	0.143	3.43	3.63	0.2442	4.002
-251	5.074	5.144	128.9	130.7	0.135	0.143	3.43	3.63	0.2502	4.100
-252	5.199	5.269	132.1	133.8	0.135	0.143	3.43	3.63	0.2561	4.197
-253	5.324	5.394	135.2	137.0	0.135	0.143	3.43	3.63	0.2621	4.295
-254	5.449	5.519	138.4	140.2	0.135	0.143	3.43	3.63	0.2681	4.393
-255	5.574	5.644	141.6	143.4	0.135	0.143	3.43	3.63	0.2740	4.490
-256	5.699	5.769	144.8	146.5	0.135	0.143	3.43	3.63	0.2800	4.588
-257	5.824	5.894	147.9	149.7	0.135	0.143	3.43	3.63	0.2859	4.685
-258	5.949	6.019	151.1	152.9	0.135	0.143	3.43	3.63	0.2919	4.783
-259	6.194	6.274	157.3	159.4	0.135	0.143	3.43	3.63	0.3038	4.978
-260	6.444	6.524	163.7	165.7	0.135	0.143	3.43	3.63	0.3157	5.173
-261	6.694	6.774	170.0	172.1	0.135	0.143	3.43	3.63	0.3277	5.370
-262	6.944	7.024	176.4	178.4	0.135	0.143	3.43	3.63	0.3396	5.565
-263	7.189	7.279	182.6	184.9	0.135	0.143	3.43	3.63	0.3515	5.760
-264	7.439	7.529	189.0	191.2	0.135	0.143	3.43	3.63	0.3634	5.955
-265	7.689	7.779	195.3	197.6	0.135	0.143	3.43	3.63	0.3753	6.150
-266	7.939	8.029	201.7	203.9	0.135	0.143	3.43	3.63	0.3872	6.345
-267	8.184	8.284	207.9	210.4	0.135	0.143	3.43	3.63	0.3992	6.542
-268	8.434	8.534	214.2	216.8	0.135	0.143	3.43	3.63	0.4111	6.737
-269	8.684	8.784	220.6	223.1	0.135	0.143	3.43	3.63	0.4230	6.932
-270	8.934	9.034	226.9	229.5	0.135	0.143	3.43	3.63	0.4349	7.127
-271	9.179	9.289	233.1	235.9	0.135	0.143	3.43	3.63	0.4468	7.322
-272	9.429	9.539	239.5	242.3	0.135	0.143	3.43	3.63	0.4588	7.518
-273	9.679	9.789	245.8	248.6	0.135	0.143	3.43	3.63	0.4707	7.713
-274	9.929	10.039	252.2	255.0	0.135	0.143	3.43	3.63	0.4826	7.908
-275	10.429	10.539	264.9	267.7	0.135	0.143	3.43	3.63	0.5064	8.298

SAE AS568 Revision B

TABLE 1 - Aerospace Size Standards for O-Rings (Continued)

Dash Number	ID Inches min	ID Inches max	ID mm min	ID mm max	W Inches min	W Inches max	W mm min	W mm max	Volume (Ref) Cubic Inches	Volume (Ref) Cubic cm
-276	10.919	11.049	277.3	280.6	0.135	0.143	3.43	3.63	0.5303	8.690
-277	11.419	11.549	290.0	293.3	0.135	0.143	3.43	3.63	0.5541	9.080
-278	11.919	12.049	302.7	306.0	0.135	0.143	3.43	3.63	0.5779	9.470
-279	12.919	13.049	328.1	331.4	0.135	0.143	3.43	3.63	0.6256	10.252
-280	13.919	14.049	353.5	356.8	0.135	0.143	3.43	3.63	0.6733	11.033
-281	14.919	15.049	378.9	382.2	0.135	0.143	3.43	3.63	0.7210	11.815
-282	15.880	16.030	403.4	407.2	0.135	0.143	3.43	3.63	0.7672	12.572
-283	16.875	17.035	428.6	432.7	0.135	0.143	3.43	3.63	0.8149	13.354
-284	17.870	18.040	453.9	458.2	0.135	0.143	3.43	3.63	0.8626	14.136
*285 THRU *308	*O-RING SIZES NOT ASSIGNED									
-309	0.407	0.417	10.34	10.59	0.205	0.215	5.21	5.46	0.0677	1.109
-310	0.470	0.480	11.94	12.19	0.205	0.215	5.21	5.46	0.0745	1.221
-311	0.530	0.544	13.46	13.82	0.205	0.215	5.21	5.46	0.0813	1.332
-312	0.591	0.609	15.01	15.47	0.205	0.215	5.21	5.46	0.0881	1.444
-313	0.653	0.671	16.59	17.04	0.205	0.215	5.21	5.46	0.0949	1.555
-314	0.715	0.735	18.16	18.67	0.205	0.215	5.21	5.46	0.1017	1.667
-315	0.777	0.797	19.74	20.24	0.205	0.215	5.21	5.46	0.1085	1.778
-316	0.840	0.860	21.34	21.84	0.205	0.215	5.21	5.46	0.1153	1.889
-317	0.902	0.922	22.91	23.42	0.205	0.215	5.21	5.46	0.1221	2.001
-318	0.965	0.985	24.51	25.02	0.205	0.215	5.21	5.46	0.1289	2.112
-319	1.027	1.047	26.09	26.59	0.205	0.215	5.21	5.46	0.1357	2.224
-320	1.088	1.112	27.64	28.24	0.205	0.215	5.21	5.46	0.1425	2.335
-321	1.150	1.174	29.21	29.82	0.205	0.215	5.21	5.46	0.1493	2.447
-322	1.213	1.237	30.81	31.42	0.205	0.215	5.21	5.46	0.1561	2.558
-323	1.275	1.299	32.38	32.99	0.205	0.215	5.21	5.46	0.1629	2.669
-324	1.338	1.362	33.99	34.59	0.205	0.215	5.21	5.46	0.1697	2.781
-325	1.460	1.490	37.08	37.85	0.205	0.215	5.21	5.46	0.1833	3.004

SAE AS568 Revision B

TABLE 1 - Aerospace Size Standards for O-Rings (Continued)

Dash Number	ID Inches min	ID Inches max	ID mm min	ID mm max	W Inches min	W Inches max	W mm min	W mm max	Volume (Ref) Cubic Inches	Volume (Ref) Cubic cm
-326	1.585	1.615	40.26	41.02	0.205	0.215	5.21	5.46	0.1970	3.228
-327	1.710	1.740	43.43	44.20	0.205	0.215	5.21	5.46	0.2106	3.451
-328	1.835	1.865	46.61	47.37	0.205	0.215	5.21	5.46	0.2242	3.674
-329	1.957	1.993	49.71	50.62	0.205	0.215	5.21	5.46	0.2378	3.897
-330	2.082	2.118	52.88	53.80	0.205	0.215	5.21	5.46	0.2514	4.120
-331	2.207	2.243	56.06	56.97	0.205	0.215	5.21	5.46	0.2650	4.343
-332	2.332	2.368	59.23	60.15	0.205	0.215	5.21	5.46	0.2786	4.565
-333	2.455	2.495	62.4	63.4	0.205	0.215	5.21	5.46	0.2922	4.788
-334	2.580	2.620	65.5	66.5	0.205	0.215	5.21	5.46	0.3058	5.011
-335	2.705	2.745	68.7	69.7	0.205	0.215	5.21	5.46	0.3194	5.234
-336	2.830	2.870	71.9	72.9	0.205	0.215	5.21	5.46	0.3330	5.457
-337	2.951	2.999	75.0	76.2	0.205	0.215	5.21	5.46	0.3466	5.680
-338	3.076	3.124	78.1	79.3	0.205	0.215	5.21	5.46	0.3602	5.903
-339	3.201	3.249	81.3	82.5	0.205	0.215	5.21	5.46	0.3738	6.125
-340	3.326	3.374	84.5	85.7	0.205	0.215	5.21	5.46	0.3874	6.348
-341	3.451	3.499	87.7	88.9	0.205	0.215	5.21	5.46	0.4010	6.571
-342	3.572	3.628	90.7	92.2	0.205	0.215	5.21	5.46	0.4146	6.796
-343	3.697	3.753	93.9	95.3	0.205	0.215	5.21	5.46	0.4282	7.017
-344	3.822	3.878	97.1	98.5	0.205	0.215	5.21	5.46	0.4418	7.240
-345	3.947	4.003	100.3	101.7	0.205	0.215	5.21	5.46	0.4554	7.463
-346	4.072	4.128	103.4	104.9	0.205	0.215	5.21	5.46	0.4690	7.686
-347	4.195	4.255	106.6	108.1	0.205	0.215	5.21	5.46	0.4826	7.908
-348	4.320	4.380	109.7	111.3	0.205	0.215	5.21	5.46	0.4962	8.131
-349	4.445	4.505	112.9	114.4	0.205	0.215	5.21	5.46	0.5098	8.354
-350	4.570	4.630	116.1	117.6	0.205	0.215	5.21	5.46	0.5234	8.577
-351	4.695	4.755	119.3	120.8	0.205	0.215	5.21	5.46	0.5370	8.800
-352	4.820	4.880	122.4	124.0	0.205	0.215	5.21	5.46	0.5506	9.023
-353	4.938	5.012	125.4	127.3	0.205	0.215	5.21	5.46	0.5642	9.246
-354	5.063	5.137	128.6	130.5	0.205	0.215	5.21	5.46	0.5778	9.468
-355	5.188	5.262	131.8	133.7	0.205	0.215	5.21	5.46	0.5914	9.691

SAE AS568 Revision B

TABLE 1 - Aerospace Size Standards for O-Rings (Continued)

Dash Number	ID Inches min	ID Inches max	ID mm min	ID mm max	W Inches min	W Inches max	W mm min	W mm max	Volume (Ref) Cubic Inches	Volume (Ref) Cubic cm
-356	5.313	5.387	135.0	136.8	0.205	0.215	5.21	5.46	0.6050	9.914
-357	5.438	5.512	138.1	140.0	0.205	0.215	5.21	5.46	0.6186	10.137
-358	5.563	5.637	141.3	143.2	0.205	0.215	5.21	5.46	0.6322	10.360
-359	5.688	5.762	144.5	146.4	0.205	0.215	5.21	5.46	0.6458	10.583
-360	5.813	5.887	147.7	149.5	0.205	0.215	5.21	5.46	0.6594	10.806
-361	5.938	6.012	150.8	152.7	0.205	0.215	5.21	5.46	0.6730	11.029
-362	6.185	6.265	157.1	159.1	0.205	0.215	5.21	5.46	0.7002	11.474
-363	6.435	6.515	163.4	165.5	0.205	0.215	5.21	5.46	0.7274	11.920
-364	6.685	6.765	169.8	171.8	0.205	0.215	5.21	5.46	0.7546	12.366
-365	6.935	7.015	176.1	178.2	0.205	0.215	5.21	5.46	0.7818	12.811
-366	7.180	7.270	182.4	184.7	0.205	0.215	5.21	5.46	0.8090	13.257
-367	7.430	7.520	188.7	191.0	0.205	0.215	5.21	5.46	0.8362	13.703
-368	7.680	7.770	195.1	197.4	0.205	0.215	5.21	5.46	0.8634	14.149
-369	7.930	8.020	201.4	203.7	0.205	0.215	5.21	5.46	0.8906	14.594
-370	8.175	8.275	207.6	210.2	0.205	0.215	5.21	5.46	0.9178	15.040
-371	8.425	8.525	214.0	216.5	0.205	0.215	5.21	5.46	0.9450	15.486
-372	8.675	8.775	220.3	222.9	0.205	0.215	5.21	5.46	0.9722	15.932
-373	8.925	9.025	226.7	229.2	0.205	0.215	5.21	5.46	0.9994	16.377
-374	9.170	9.280	232.9	235.7	0.205	0.215	5.21	5.46	1.0266	16.823
-375	9.420	9.530	239.3	242.1	0.205	0.215	5.21	5.46	1.0538	17.269
-376	9.670	9.780	245.6	248.4	0.205	0.215	5.21	5.46	1.0811	17.716
-377	9.920	10.030	252.0	254.8	0.205	0.215	5.21	5.46	1.1083	18.162
-378	10.415	10.535	264.5	267.6	0.205	0.215	5.21	5.46	1.1627	19.053
-379	10.915	11.035	277.2	280.3	0.205	0.215	5.21	5.46	1.2171	19.945
-380	11.410	11.540	289.8	293.1	0.205	0.215	5.21	5.46	1.2715	20.836
-381	11.910	12.040	302.5	305.8	0.205	0.215	5.21	5.46	1.3269	21.728
-382	12.910	13.040	327.9	331.2	0.205	0.215	5.21	5.46	1.4347	23.511
-383	13.905	14.045	353.2	356.7	0.205	0.215	5.21	5.46	1.5435	25.293
-384	14.905	15.045	378.6	382.1	0.205	0.215	5.21	5.46	1.6523	27.076
-385	15.880	16.030	403.4	407.2	0.205	0.215	5.21	5.46	1.7590	28.825

SAE AS568 Revision B

TABLE 1 - Aerospace Size Standards for O-Rings (Continued)

Dash Number	ID Inches min	ID Inches max	ID mm min	ID mm max	W Inches min	W Inches max	W mm min	W mm max	Volume (Ref) Cubic Inches	Volume (Ref) Cubic cm
-386	16.875	17.035	428.6	432.7	0.205	0.215	5.21	5.46	1.8678	30.608
-387	17.870	18.040	453.9	458.2	0.205	0.215	5.21	5.46	1.9766	32.391
-388	18.865	19.045	479.2	483.7	0.205	0.215	5.21	5.46	2.0854	34.174
-389	19.860	20.050	504.4	509.3	0.205	0.215	5.21	5.46	2.1942	35.957
-390	20.860	21.050	529.8	534.7	0.205	0.215	5.21	5.46	2.3030	37.739
-391	21.855	22.055	555.1	560.2	0.205	0.215	5.21	5.46	2.4118	39.522
-392	22.835	23.045	580.0	585.3	0.205	0.215	5.21	5.46	2.5190	41.279
-393	23.830	24.050	605.3	610.9	0.205	0.215	5.21	5.46	2.6278	43.062
-394	24.825	25.055	630.6	636.4	0.205	0.215	5.21	5.46	2.7366	44.845
-395	25.820	26.060	655.8	661.9	0.205	0.215	5.21	5.46	2.8454	46.628
*396 THRU *424	*O-RING SIZES NOT ASSIGNED									
-425	4.442	4.508	112.8	114.5	0.269	0.281	6.83	7.14	0.8863	14.524
-426	4.567	4.633	116.0	117.7	0.269	0.281	6.83	7.14	0.9097	14.907
-427	4.692	4.758	119.2	120.9	0.269	0.281	6.83	7.14	0.9330	15.289
-428	4.817	4.883	122.4	124.0	0.269	0.281	6.83	7.14	0.9563	15.671
-429	4.938	5.012	125.4	127.3	0.269	0.281	6.83	7.14	0.9796	16.053
-430	5.063	5.137	128.6	130.5	0.269	0.281	6.83	7.14	1.0030	16.436
-431	5.188	5.262	131.8	133.7	0.269	0.281	6.83	7.14	1.0263	16.818
-432	5.313	5.387	135.0	136.8	0.269	0.281	6.83	7.14	1.0496	17.200
-433	5.438	5.512	138.1	140.0	0.269	0.281	6.83	7.14	1.0729	17.582
-434	5.563	5.637	141.3	143.2	0.269	0.281	6.83	7.14	1.0963	17.965
-435	5.688	5.762	144.5	146.4	0.269	0.281	6.83	7.14	1.1196	18.347
-436	5.813	5.887	147.7	149.5	0.269	0.281	6.83	7.14	1.1429	18.729
-437	5.938	6.012	150.8	152.7	0.269	0.281	6.83	7.14	1.1662	19.111
-438	6.185	6.265	157.1	159.1	0.269	0.281	6.83	7.14	1.2129	19.876
-439	6.435	6.515	163.4	165.5	0.269	0.281	6.83	7.14	1.2595	20.640
-440	6.685	6.765	169.8	171.8	0.269	0.281	6.83	7.14	1.3062	21.405

SAE AS568 Revision B

TABLE 1 - Aerospace Size Standards for O-Rings (Continued)

Dash Number	ID Inches min	ID Inches max	ID mm min	ID mm max	W Inches min	W Inches max	W mm min	W mm max	Volume (Ref) Cubic Inches	Volume (Ref) Cubic cm
-441	6.935	7.015	176.1	178.2	0.269	0.281	6.83	7.14	1.3528	22.168
-442	7.180	7.270	182.4	184.7	0.269	0.281	6.83	7.14	1.3995	22.934
-443	7.430	7.520	188.7	191.0	0.269	0.281	6.83	7.14	1.4461	23.697
-444	7.680	7.770	195.1	197.4	0.269	0.281	6.83	7.14	1.4928	24.463
-445	7.930	8.020	201.4	203.7	0.269	0.281	6.83	7.14	1.5394	25.226
-446	8.420	8.530	213.9	216.7	0.269	0.281	6.83	7.14	1.6327	26.755
-447	8.920	9.030	226.6	229.4	0.269	0.281	6.83	7.14	1.7260	28.284
-448	9.420	9.530	239.3	242.1	0.269	0.281	6.83	7.14	1.8193	29.813
-449	9.920	10.030	252.0	254.8	0.269	0.281	6.83	7.14	1.9126	31.342
-450	10.415	10.535	264.5	267.6	0.269	0.281	6.83	7.14	2.0059	32.871
-451	10.915	11.035	277.2	280.3	0.269	0.281	6.83	7.14	2.0992	34.400
-452	11.415	11.535	289.9	293.0	0.269	0.281	6.83	7.14	2.1925	35.929
-453	11.915	12.035	302.6	305.7	0.269	0.281	6.83	7.14	2.2858	37.458
-454	12.415	12.535	315.3	318.4	0.269	0.281	6.83	7.14	2.3791	38.987
-455	12.915	13.035	328.0	331.1	0.269	0.281	6.83	7.14	2.4724	40.515
-456	13.405	13.545	340.5	344.0	0.269	0.281	6.83	7.14	2.5657	42.044
-457	13.905	14.045	353.2	356.7	0.269	0.281	6.83	7.14	2.6590	43.573
-458	14.405	14.545	365.9	369.4	0.269	0.281	6.83	7.14	2.7523	45.102
-459	14.905	15.045	378.6	382.1	0.269	0.281	6.83	7.14	2.8456	46.631
-460	15.405	15.545	391.3	394.8	0.269	0.281	6.83	7.14	2.9389	48.160
-461	15.880	16.030	403.4	407.2	0.269	0.281	6.83	7.14	3.0285	49.628
-462	16.380	16.530	416.1	419.9	0.269	0.281	6.83	7.14	3.1218	51.157
-463	16.875	17.035	428.6	432.7	0.269	0.281	6.83	7.14	3.2151	52.686
-464	17.370	17.540	441.2	445.5	0.269	0.281	6.83	7.14	3.3084	54.215
-465	17.870	18.040	453.9	458.2	0.269	0.281	6.83	7.14	3.4017	55.744
-466	18.370	18.540	466.6	470.9	0.269	0.281	6.83	7.14	3.4950	57.273
-467	18.865	19.045	479.2	483.7	0.269	0.281	6.83	7.14	3.5883	58.802
-468	19.365	19.545	491.9	496.4	0.269	0.281	6.83	7.14	3.6816	60.331
-469	19.860	20.050	504.4	509.3	0.269	0.281	6.83	7.14	3.7749	61.860
-470	20.860	21.050	529.8	534.7	0.269	0.281	6.83	7.14	3.9615	64.917

SAE AS568 Revision B

TABLE 1 - Aerospace Size Standards for O-Rings (Continued)

Dash Number	ID Inches min	ID Inches max	ID mm min	ID mm max	W Inches min	W Inches max	W mm min	W mm max	Volume (Ref) Cubic Inches	Volume (Ref) Cubic cm
-471	21.855	22.055	555.1	560.2	0.269	0.281	6.83	7.14	4.1481	67.975
-472	22.835	23.045	580.0	585.3	0.269	0.281	6.83	7.14	4.3319	70.987
-473	23.830	24.050	605.3	610.9	0.269	0.281	6.83	7.14	4.5184	74.043
-474	24.825	25.055	630.6	636.4	0.269	0.281	6.83	7.14	4.7050	77.101
-475	25.820	26.060	655.8	661.9	0.269	0.281	6.83	7.14	4.8916	80.159

TABLE 2 - Aerospace Size Standards for Straight Thread Tube Fitting Boss Gaskets

Dash Number	Tube Size (Nom) Inches	Tube Size (Nom) mm	ID Inches min	ID Inches max	ID mm min	ID mm max	W Inches min	W Inches max	W mm min	W mm max	Volume (Ref) Cubic Inches	Volume (Ref) Cubic cm
-901	0.0938	2.383	0.180	0.190	4.57	4.83	0.053	0.059	1.35	1.50	0.0019	0.031
-902	0.125	3.18	0.234	0.244	5.94	6.20	0.061	0.067	1.55	1.70	0.0031	0.051
-903	0.1875	4.763	0.296	0.306	7.52	7.77	0.061	0.067	1.55	1.70	0.0037	0.061
-904	0.250	6.35	0.346	0.356	8.79	9.04	0.069	0.075	1.75	1.90	0.0054	0.088
-905	0.3125	7.938	0.409	0.419	10.39	10.64	0.069	0.075	1.75	1.90	0.0062	0.102
-906	0.375	9.53	0.463	0.473	11.76	12.01	0.075	0.081	1.90	2.06	0.0082	0.134
-907	0.4375	11.11	0.523	0.537	13.28	13.64	0.079	0.085	2.01	2.16	0.0102	0.167
-908	0.500	12.70	0.635	0.653	16.13	16.59	0.084	0.090	2.13	2.29	0.0137	0.225
-909	0.5625	14.288	0.697	0.715	17.70	18.16	0.094	0.100	2.39	2.54	0.0186	0.305
-910	0.625	15.88	0.746	0.764	18.95	19.41	0.094	0.100	2.39	2.54	0.0198	0.324
-911	0.6875	17.463	0.854	0.872	21.69	22.15	0.112	0.120	2.84	3.05	0.0325	0.533
-912	0.750	19.05	0.915	0.933	23.24	23.70	0.112	0.120	2.84	3.05	0.0345	0.565
-913	0.1825	20.638	0.976	0.996	24.79	25.30	0.112	0.120	2.84	3.05	0.0366	0.600
-914	0.875	22.23	1.037	1.057	26.34	26.85	0.112	0.120	2.84	3.05	0.0386	0.633
-916	1.000	25.40	1.161	1.181	29.49	30.00	0.112	0.120	2.84	3.05	0.0427	0.700
-918	1.125	28.58	1.343	1.367	34.11	34.72	0.112	0.120	2.84	3.05	0.0488	0.800
-920	1.250	31.75	1.461	1.489	37.11	37.82	0.114	0.122	2.90	3.10	0.0547	0.896
-924	1.500	38.10	1.706	1.734	43.33	44.04	0.114	0.122	2.90	3.10	0.0631	1.034
-928	1.750	44.45	2.072	2.108	52.63	53.54	0.114	0.122	2.90	3.10	0.0759	1.244
-932	2.000	50.80	2.319	2.356	58.90	59.82	0.114	0.122	2.90	3.10	0.0843	1.381